

FILTER OVERVIEW WITH SERVICE INTERVALS AND CAPACITIES

9750 STS Series Canadian Combine

ENGINE AIR FILTER

SECONDARY AIR FILTER – [AH174196](#)

Change secondary filter only with primary filter.

ENGINE AIR FILTER

PRIMARY AIR FILTER – [AH170798](#)

Replace every 400 hours or
Service filters only when engine air filter light stays ON or
change as required.

Note: Replace secondary filter with primary filter.

CAB AIR FILTER

RECIRCULATION AIR FILTER – [AH115836](#)

Clean or replace every 200 hours and as
required.

CAB AIR FILTER

AIR FILTER, HEAVY DUTY – [AH168783](#)

AIR FILTER, STANDARD – [AH115833](#)

Clean or replace every 50 hours
and as required.

HYDROSTATIC PUMP / ENGINE GEARCASE / HYDRAULIC FILTER

OIL FILTER – [AH128449](#)

Replace every 400 hours.

Note: Replace all three filters at a time.

ENGINE OIL FILTER

OIL FILTER – [RE58935](#)

Replace every 200 hours.

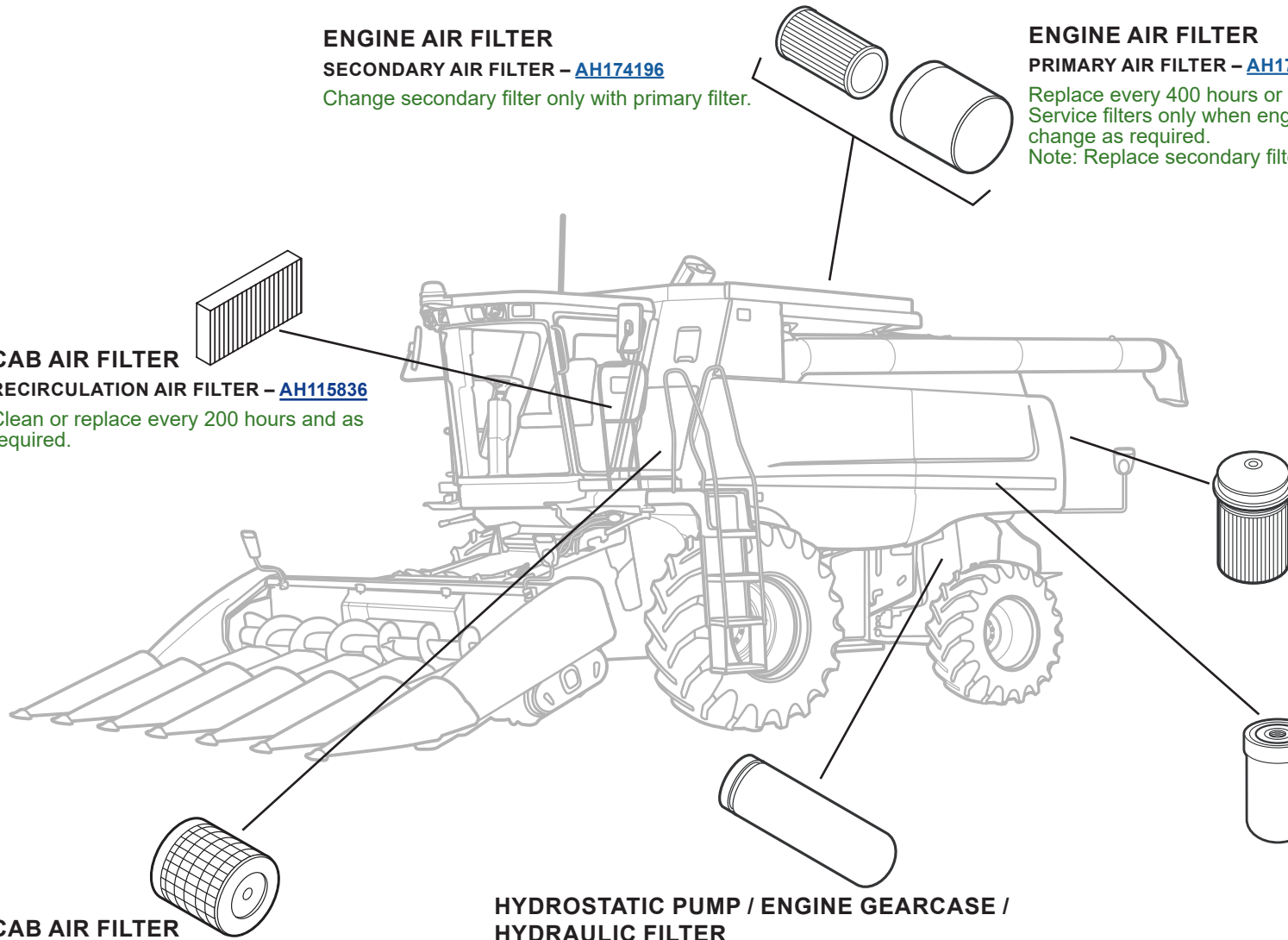
Note : Fill Crankcase with seasonal viscosity
grade oil or Torq-Gard™ Supreme (250 hours
change interval). If using Plus-50™ oil and a
John Deere™ filter, the service interval can be
extended by 50 percent.

Example: 250 hours extends to 375 hours. .

ENGINE FUEL FILTER

FUEL FILTER – [RE507284](#)

Replace every 500 hours.



JOHN DEERE

Genuine Parts and Service

(Click here for [capacity](#))

CAPACITIES

9750 STS Series Canadian Combine

CAPACITIES (Approximate):

Fuel Tank:

..... 945 L (249.64 gal)

Cooling System with Heater:

Cool-Gard™

..... 55 L (14.52 gal)

Hydraulic / Hydrostatic Reservoir:

Hy-Gard™

..... 34 L (8.98 gal)

Feeder House Reverser Gearcase:

GL-5

Standard 0.9 L (0.23 gal)

High Capacity with Cooler 3.5 L (0.92 gal)

Final Drives (Each):

GL-5

Single Reduction 8.5 L (2.24 gal)

Countershaft Drive Gearcase:

GL-5

..... 1.2 L (0.31 gal)

Loading Auger Gearcase:

GL-5

..... 3.8 L (1 gal)

Engine Gearcase with Transfer:

Hy-Gard™

..... 21.3 L (5.62 gal)

Engine Crankcase with Filter:

PLUS-50™ or Torq-Gard™ Supreme

..... 42 L (11.09 gal)

Transmission:

GL-5

..... 9.6 L (2.53 gal)

Two Speed Separator Drive Gearcase:

GL-5

..... 4.7 L (1.24 gal)

[Return to Filter Overview](#)

